



Eberspächer high-pressure hydraulics

Light-weight jacks with locking ring



630 bar

80 to 1000 t

100 to 315 mm stroke

Light-weight jacks with threaded piston and locking-ring

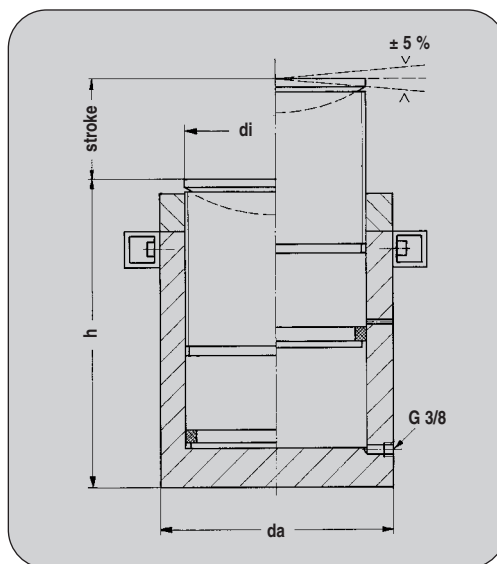
630 bar

Spherical bearing plate floats $\pm 5\%$

Permissible transverse force 3 – 6%, depending on stroke

Jack made of hardened and tempered steel. Locking-ring thread 45° similar to DIN 2781. Standard construction with captive spherical bearing plate. Jack bore hardchromium plated. High-pressure and low-temperature-resistant gasket. The compact size makes the jack particularly suitable for use under confined and difficult mounting conditions. The use of hardened and tempered steel and higher operating pressure bring great savings in weight. Dependent on the permissible compressive loads, provision will have to be made for compression distribution plates, as the case may be.

Hydraulic hand-operated pumps or hydroelectric pumps, distribution valves, tubes and pipes are available for driving the jacking.



Type No.	ZE 7116	ZE 7117	ZE 7118	ZE 7119	ZE 7120	ZE 7121	ZE 7122	ZE 7123	ZE 7124	ZE 7125	ZE 7126	ZE 7127	
Lifting load t	80	100	125	160	200	240	310	390	500	640	790	1000	
Piston \varnothing dia. mm	125	140	160	180	200	220	250	280	320	360	400	450	
Piston \varnothing area cm ²	123	154	201	254	314	380	491	616	804	1019	1257	1590	
Outer \varnothing dia. mm	165	180	200	226	251	270	305	344	393	442	491	552	
Threaded connection	G 3/8	G 3/8	G 3/8	G 3/8	G 3/8	G 3/8	G 3/8	G 3/8	G 3/8	G 3/8	G 3/8	G 3/8	
Stroke mm	h	233	242	257	270	279	291	323	347	381	409	442	519
	W	39	47	63	79	99	129	186	233	352	492	658	974
160	h	299	308	324	338	351	364	397	419	454	482	517	596
	W	50	61	79	100	125	145	227	302	421	582	807	1100
250	h	418	427	447	463	484	505	538	560	596	645	682	763
	W	69	84	110	137	173	222	312	410	554	781	1021	1437
315	h	517	532	556	573	602	631	661	680	727	788	827	910
	W	85	105	137	169	216	277	384	498	677	954	1240	1752

h Overall height in mm

W Weight in kg

For hydraulic jacks with locking ring with larger stroke see data sheet ZE 071.



Eberspächer GmbH
high-pressure hydraulics

D-73219 Kirchheim/Teck · P.O.B. 1125 · Germany
Phone (07021) 95060-0 · Telefax (07021) 9506050 · www.eberspaecher.org