



Eberspächer

Hochdruck Hydraulik • High-pressure hydraulics

Flat jacks with locking ring



630 bar

60 – 1000 t

50 mm stroke

*Rent service: jacks with
locking ring, flat jacks,
pumps etc.*

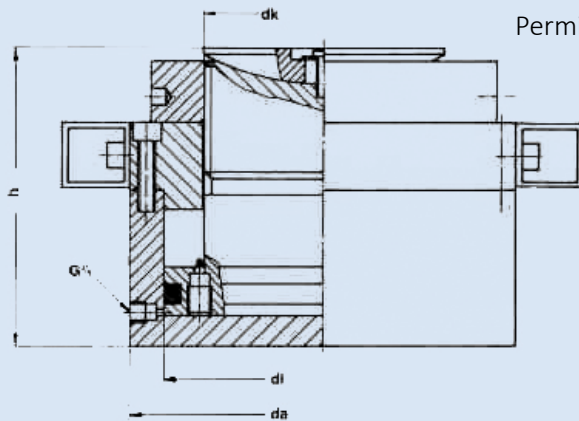
We are your professional partner when it comes to heavy loads.



This jack is particularly suitable for confined and difficult mounting conditions such as in bridge piers, machine foundations, steel structures, etc. Provision may have to be made for pressure distribution plates dependent on the permissible compressive loads.

Hydraulic, hand-operated or electrical units, distribution valves, tubes and pipes etc. are available for driving the jacks.

Subject to change without prior notice. Other sizes on request.



Spherical bearing plate floats $\pm 5\%$
Permissible transverse force 8% at any stroke

Type	Load t	Ai cm ²	di mm	da mm	dk mm	h mm	W kg
ZE 852.3	100	154	140	185	80	205	36
ZE 853.4	160	254	180	225	110	210	54
ZE 862.3	200	314	200	246	125	220	67
ZE 854.4	240	380	220	270	140	230	86
ZE 837.5	310	491	250	310	180	250	128
ZE 840.5	390	616	280	344	200	275	176
ZE 841.5	500	804	320	393	220	300	254
ZE 842.4	640	1018	360	443	380	330	363
ZE 856.4	790	1257	400	492	320	340	457
ZE 857.4	1000	4590	450	553	360	360	610



Eberspächer GmbH · Im Auchttert 27 · 73230 Kirchheim/Teck-Nabern · Germany
Phone +49(0) 7021 95060-0 · Fax +49(0) 7021 95060-50
info@eberspaecher.org · www.eberspaecher.org



ZE 087 e 04/16