



Eberspächer high-pressure hydraulics

Hydraulic jacks with locking-ring



**400 bar
25 to 1000 t
100 to 315 mm stroke**

Construction

Made of rolled or forged steel. Locking-ring thread 45°, similar to DIN 2781. Standard construction with captive spherical bearing plate. Stroke limited by blow-off hole. Hard-chromium-plated jack bore. Three-stage gasket resistant to high pressures and low temperatures.

Special options

Jack also available with return spring, baseplate, flange-type, etc.

Hard-nickel-plated thread provides corrosion protection for permanent installation outdoors or in damp locations. Spherical bearing plate with PTFE bearing for low-friction setting under load. Calibration report and acceptance by the German inspection agency, TÜV, on prior agreement. Intermediate and special sizes on request.

Application

The jacks are used for lifting, shifting and lowering of structural parts in reinforced concrete and concrete construction.

For making corrections to foundations and for compensating settlement.

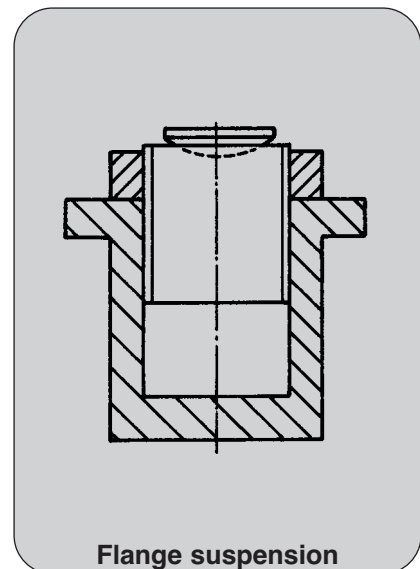
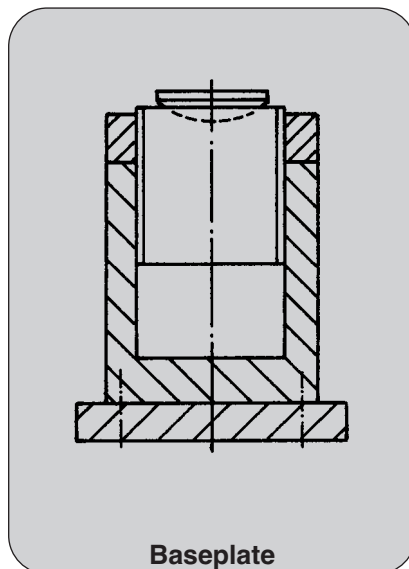
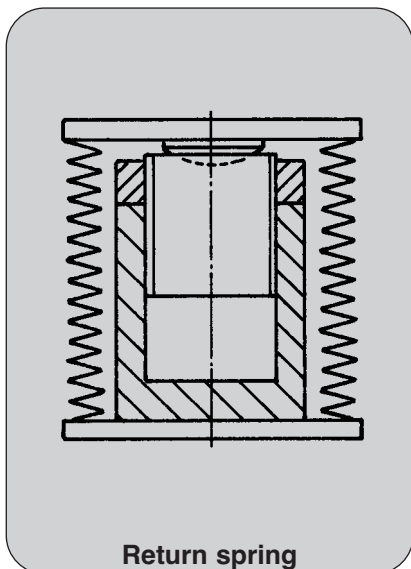
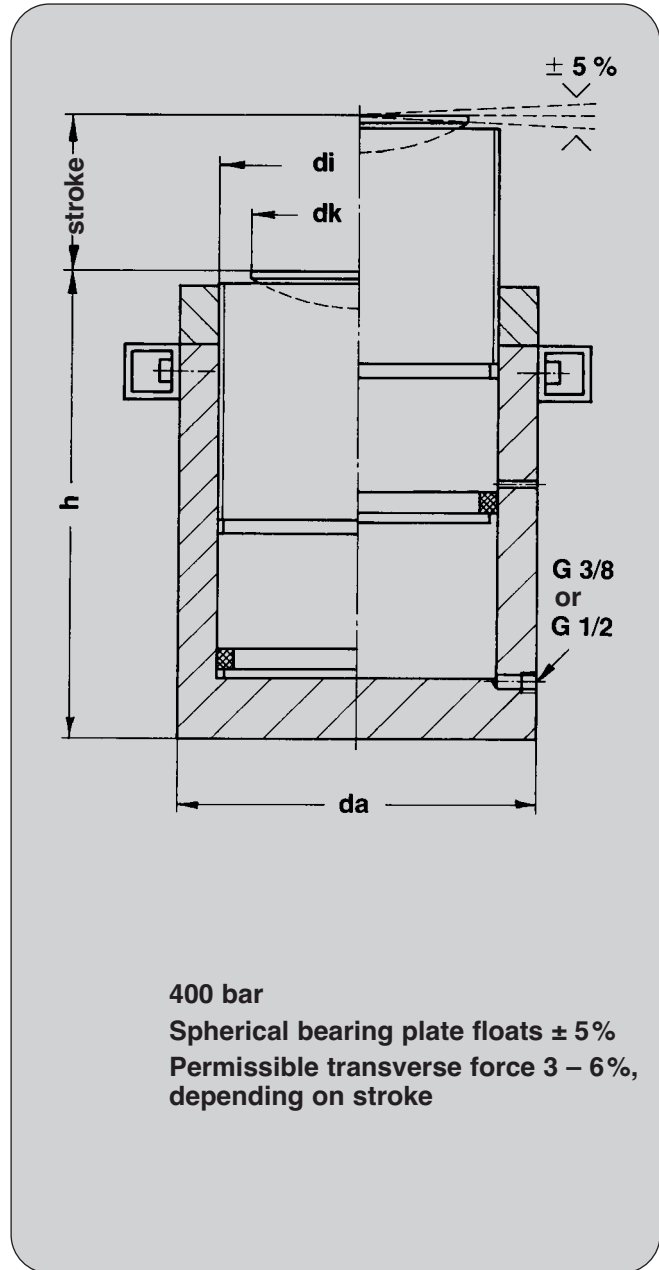
For stressing and stress-relieving of prestressing beds and prestressing cables.

For removal and installation of heavy-weight machines and machine parts, as e.g. rotary cement kiln drums.

For use in scaffolding and formwork.

Drive

Hand pumps as specified in our data sheet AV 018. Drive unit (motor pump) according to our data sheets AV. Flow dividers for synchronous lifting and lowering of unequally loaded jacks, as specified in our brochure GT 010. Manifolds, pipes, tubes and quick couplers as specified in our data sheet.



Selection table

Type		ZE 7102	ZE 7103	ZE 7104	ZE 7105	ZE 7106	ZE 7107	ZE 7108	ZE 7109	ZE 7110	ZE 7111	ZE 7112	ZE 7113
Lifting force	t	25	60	100	150	200	250	320	400	500	630	785	1000
Piston dia.	∅ mm	90	140	180	220	250	280	320	360	400	450	500	570
Piston area	Ai cm ²	63,6	154	254	380	491	616	804	1018	1257	1590	1963	2551
Outer dia.	∅ mm	120	187	242	264	300	349	398	427	474	534	594	670
Spherical bearing plate dia.	∅ dk mm	80	110	140	180	200	220	250	280	320	360	400	450
Threaded connection		G 3/8	G 3/8	G 3/8	G 3/8	G 3/8	G 1/2	G 1/2	G 1/2	G 1/2	G 1/2	G 1/2	G 1/2
Stroke	h	251	262	286	316	341	379	414	450	497	552	598	644
	mm												
	W	22	52	90	165	227	299	417	576	789	1108	1520	2042
100	V	0,64	1,6	2,5	3,3	4,9	6,2	8,0	10,2	12,6	15,9	19,6	54,6
160	h	309	320	349	379	403	439	474	510	557	612	658	704
	W	27	63	112	195	270	347	478	654	884	1230	1674	2234
	V	1	2,5	4,1	6	7,9	9,9	12,9	16,3	20,1	25,4	31,4	39,4
250	h	439	450	474	504	528	567	602	638	685	740	786	832
	W	38	89	153	260	353	449	609	818	1088	1488	2002	2643
	V	1,6	3,9	6,4	9,5	12,3	15,4	20,1	25,5	31,4	39,2	49,1	61,6
315	h	526	537	561	586	615	654	689	725	772	827	873	919
	W	46	106	181	305	412	519	697	930	1226	1663	2225	2921
	V	2	4,9	8	11,9	15,5	19,4	25,3	32	39,6	50	61,8	77,6
h Overall height in mm		W Weight in kg					V Oil volume in l						

For hydraulic jacks with locking ring with larger stroke see data sheet ZE 071.



Eberspächer GmbH
high-pressure hydraulics

D-73219 Kirchheim/Teck · P.O.B. 1125 · Germany
Phone (07021) 95060-0 · Telefax (07021) 9506050 · www.eberspaecher.org