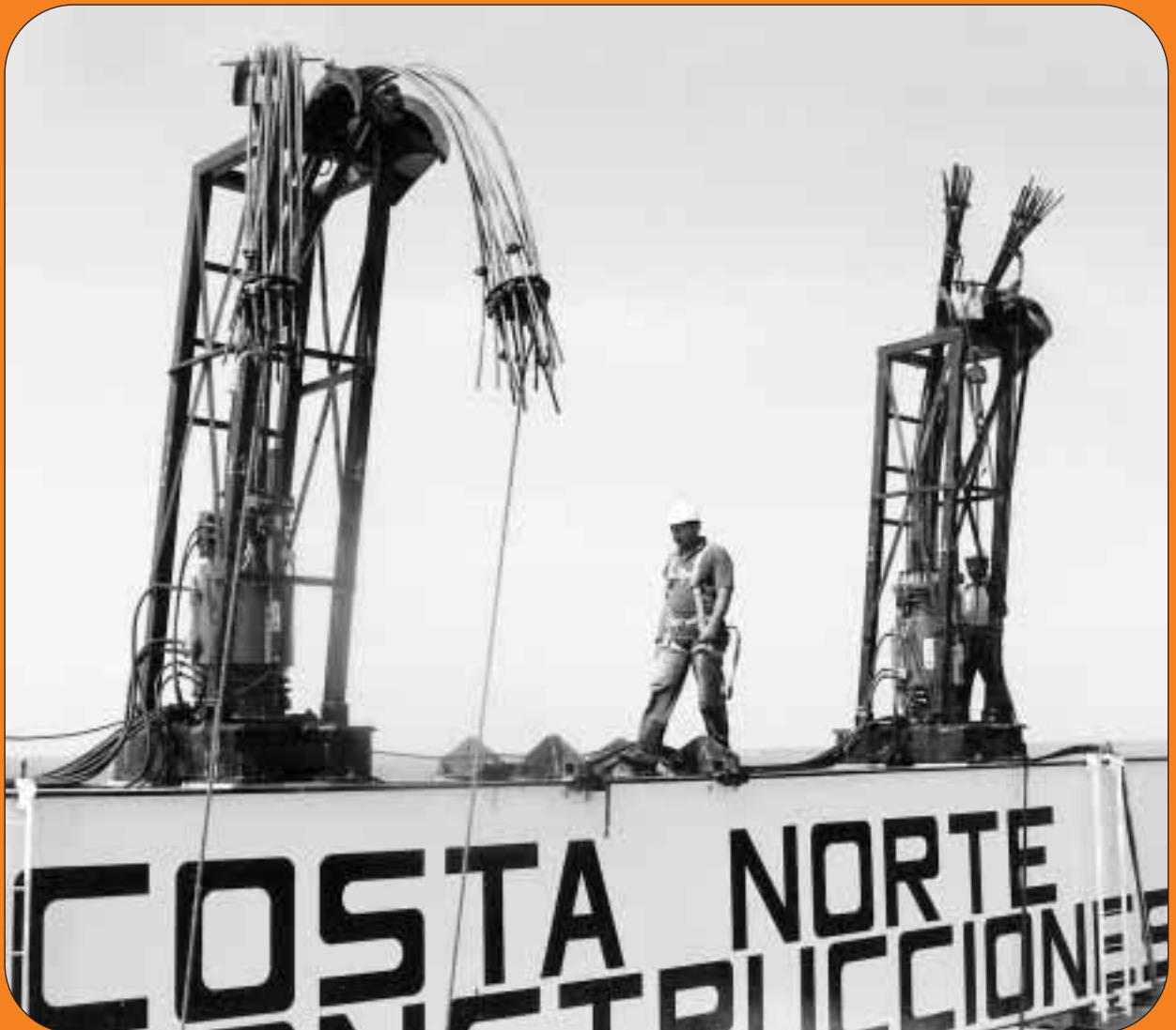


Eberspächer high-pressure hydraulics

Strand lifting and lowering equipment



Principle

The essential basic element of the strand lifting and lowering equipment is the double-acting hydraulic hollow ram jack with a set of wedges on each of the two sides. One of these sets of wedges is directly mounted on the piston; this set of wedges is lifting and lowering together with the piston. The other set of wedges is integrated in a fixed anchor.

The sets of wedges used in the strand lifting device can be disengaged either mechanically or hydraulically.

The load itself is taken up by a counter-anchor, which also has a set of wedges.

It is also possible to integrate an additional „Load fixing anchor“ with wedges directly below the actual strand lifting device. This permits to hold the load in position and at the same time to do another lifting job at a different place.

Strands, 0.6", are used as lifting elements, e.g. according to the German approval Z 12.1 – 11.6. The permissible lifting force per strand is calculated with a safety factor of 2.5.

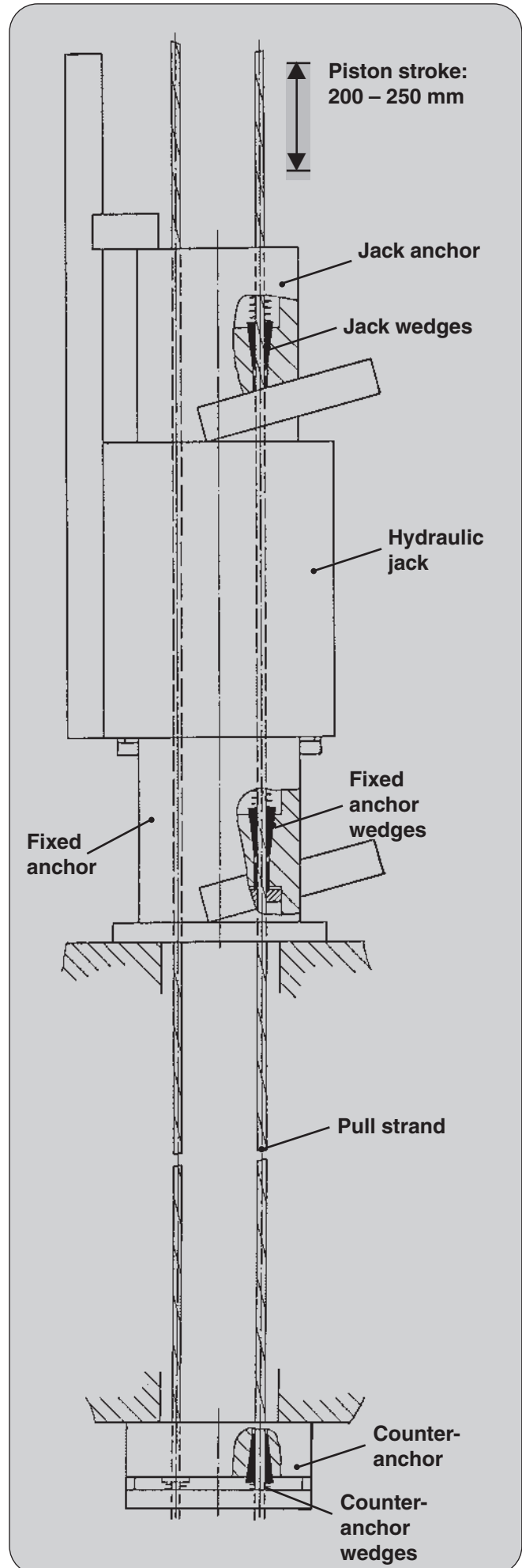
Once the strands are installed, the load can be lifted or lowered step by step through appropriate interaction of the wedges. The effective lifting speeds range from approx. 8 to 20 m/h.

The systems available range from the individual device with manual control to synchronized multiple lifting and lowering equipment with electrical central control with travel and pressure checking.

In the basic version, the rope strand lifting device must be equipped with a hydraulic unit and the associated control.

Standard strand lifting devices

Type	Lifting force KN	Number of strands, 0.6"
SP		
58	100	1
59	300	3
76	400	4
62	600	6
110	700	7
47	1200	12
106	2100	21
51	3200	32
101	4000	40
53	5000	50
105	6000	60







Eberspächer GmbH
high-pressure hydraulics

D-73219 Kirchheim/Teck · P. O. B. 1125 · Germany
Phone (07021) 95060-0 · Telefax (07021) 54575

AH 012e 6/99